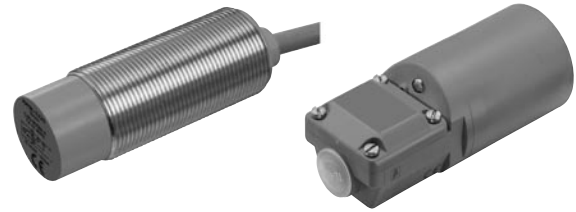


2-Wire AC Cylindrical Capacitive Sensors

- 1 to 30 mm sensing ranges
- 30 mm threaded barrels
- Adjustable sensing range
- Stainless steel and plastic housings
- Model with terminal housing



Technical Specifications

SUPPLY VOLTAGE	20-250 VAC
SUPPLY FREQUENCY	45-65 Hz
LOAD CURRENT (I _L)	200 mA max.
LEAKAGE CURRENT (OFF-STATE)	<i>CJ10 Models</i> ≤ 1.5 mA
	<i>CJ15 Model</i> ≤ 2.5 mA
OUTPUT	<i>Suffix WS</i> Normally open
	<i>Suffix WO</i> Normally closed
	<i>Suffix W</i> Normally open or normally closed
VOLTAGE DROP AT I _L (MAX.)	≤ 7 V
HYSTERESIS	3-20% (10% typical)
SHORT CIRCUIT AND OVERLOAD PROTECTION	No
LED INDICATION	See dimension drawings
SENSING FACE MATERIAL	PBT
STANDARDS	EN 60947-5-2
ENVIRONMENTAL PROTECTION	IP65
AMBIENT TEMPERATURE	-13 °F to +158 °F (-25 °C to +70 °C)
APPROVALS	



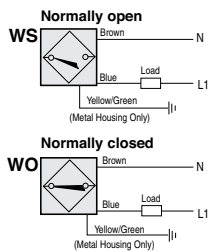
See pages 865-872 for accessories

Wiring Diagrams

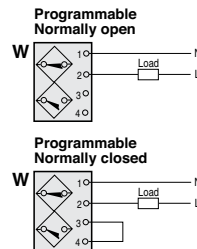
2-Wire AC



Cable Connection



Terminal Connection



Cylindrical Capacitive Sensors

2-Meter Cable Models

Dia. (mm)	Model Number	Range (mm)	Mounting*	Electrical Output	Switching Frequency	Barrel Material	Cable Jacket/Size	Dwg. No.
30	CJ10-30GK-WS	1-20	Flush	Normally open	10 Hz	PBT	PVC/18 AWG	1
	CJ10-30GK-WO	1-20	Flush	Normally closed	10 Hz	PBT	PVC/18 AWG	1
	CJ10-30GM-WS	1-20	Flush	Normally open	10 Hz	SS	PVC/18 AWG	2
	CJ10-30GM-WO	1-20	Flush	Normally closed	10 Hz	SS	PVC/18 AWG	2



Terminal Connection Models

Dia. (mm)	Model Number	Range (mm)	Mounting	Electrical Output	Switching Frequency	Barrel Material	Electrical Connection	Dwg. No.
40	CJ15-40-W†	1-30	Flush	N.O. or N.C.	10 Hz	PBT	Terminal housing	3



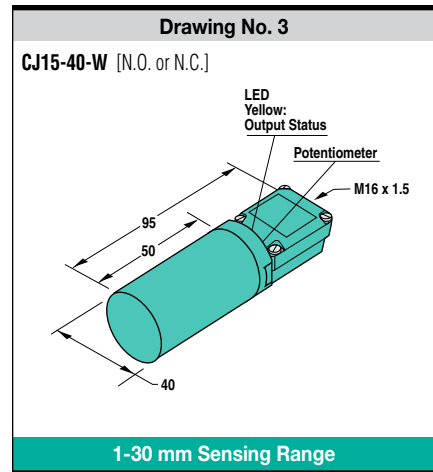
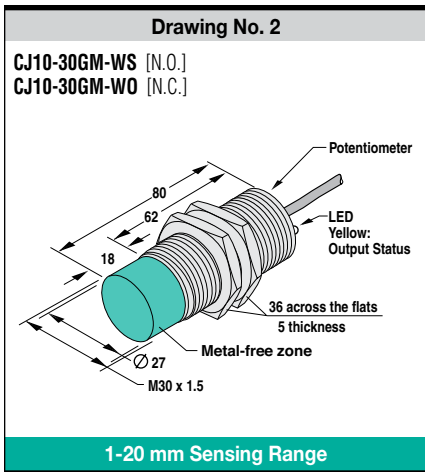
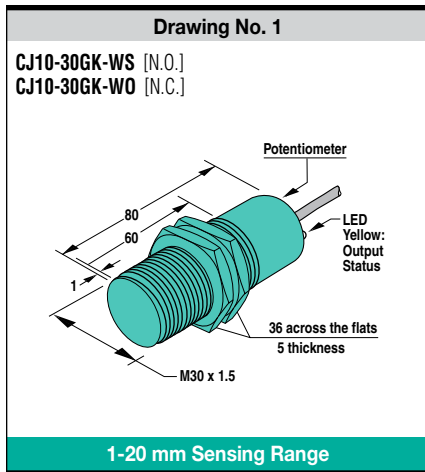
Capacitive Cylindrical

2-Wire AC

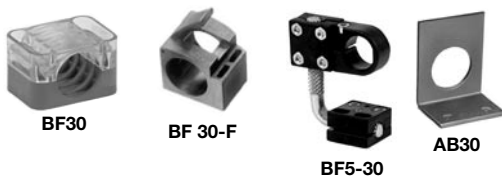
Note: Sensing range determined with water target.

*Mounting condition may be affected by adjusted sensitivity.

†In the temperature range below 0°C, permissible operating voltage is 80-250 VAC.



Recommended Accessories



Mounting Brackets

Model	Description
BF30	30 mm clamp bracket
BF 30-F	30 mm snap lever bracket
BF5-30	5-30 mm universal bracket
AB30	30 mm right angle bracket

See pages 865-872 for complete accessory listing.